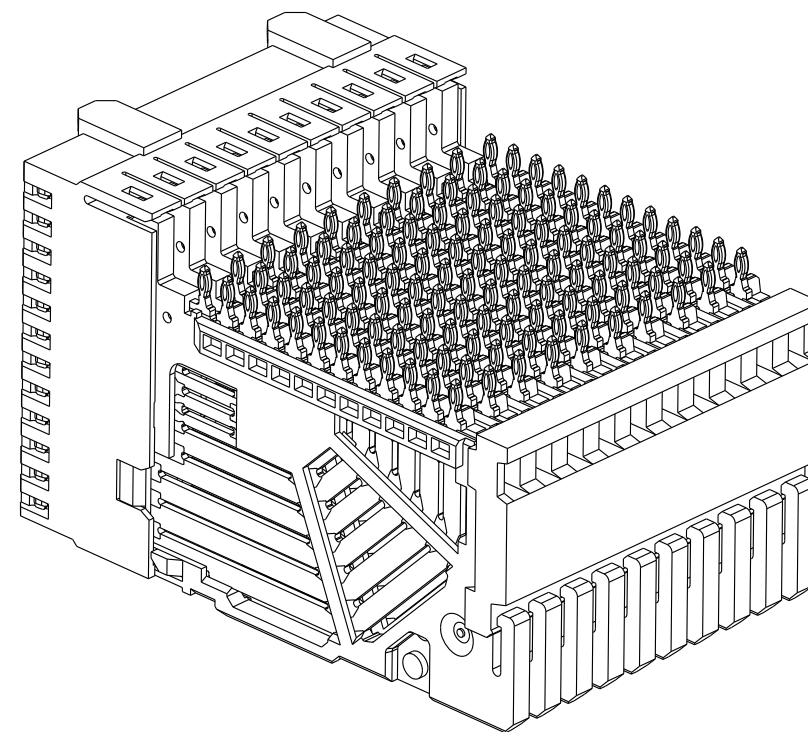
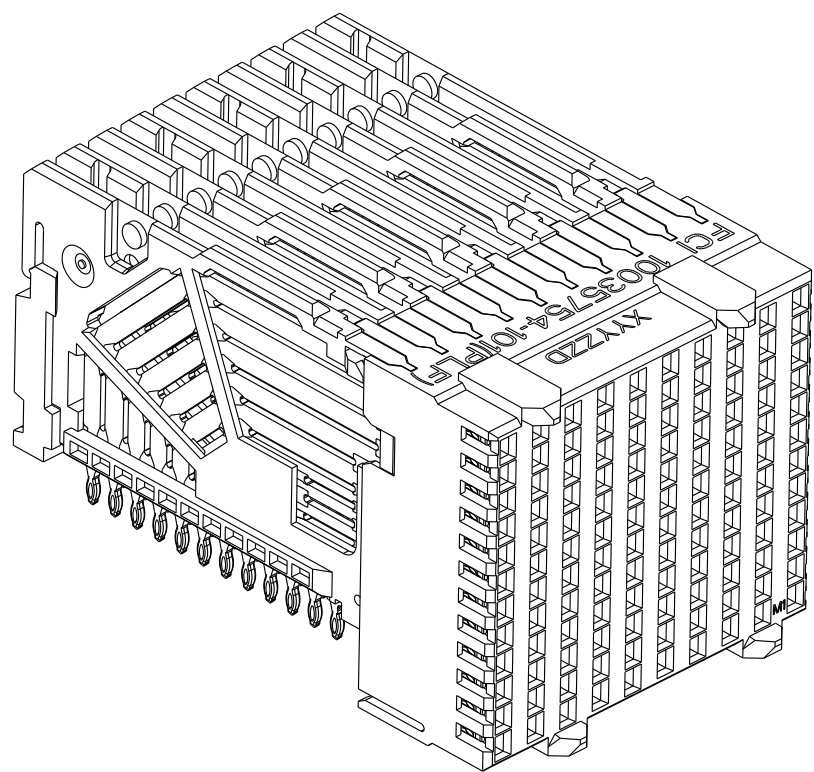
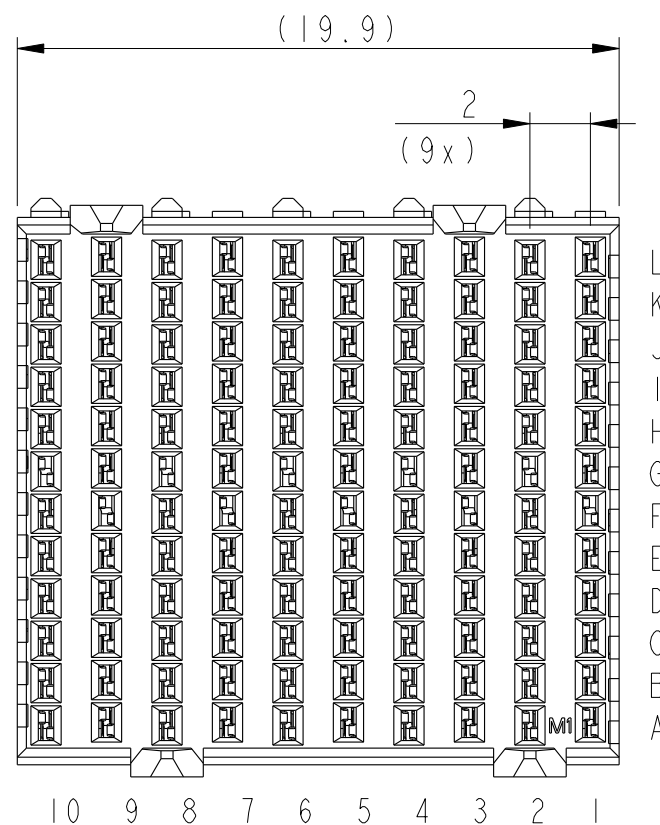
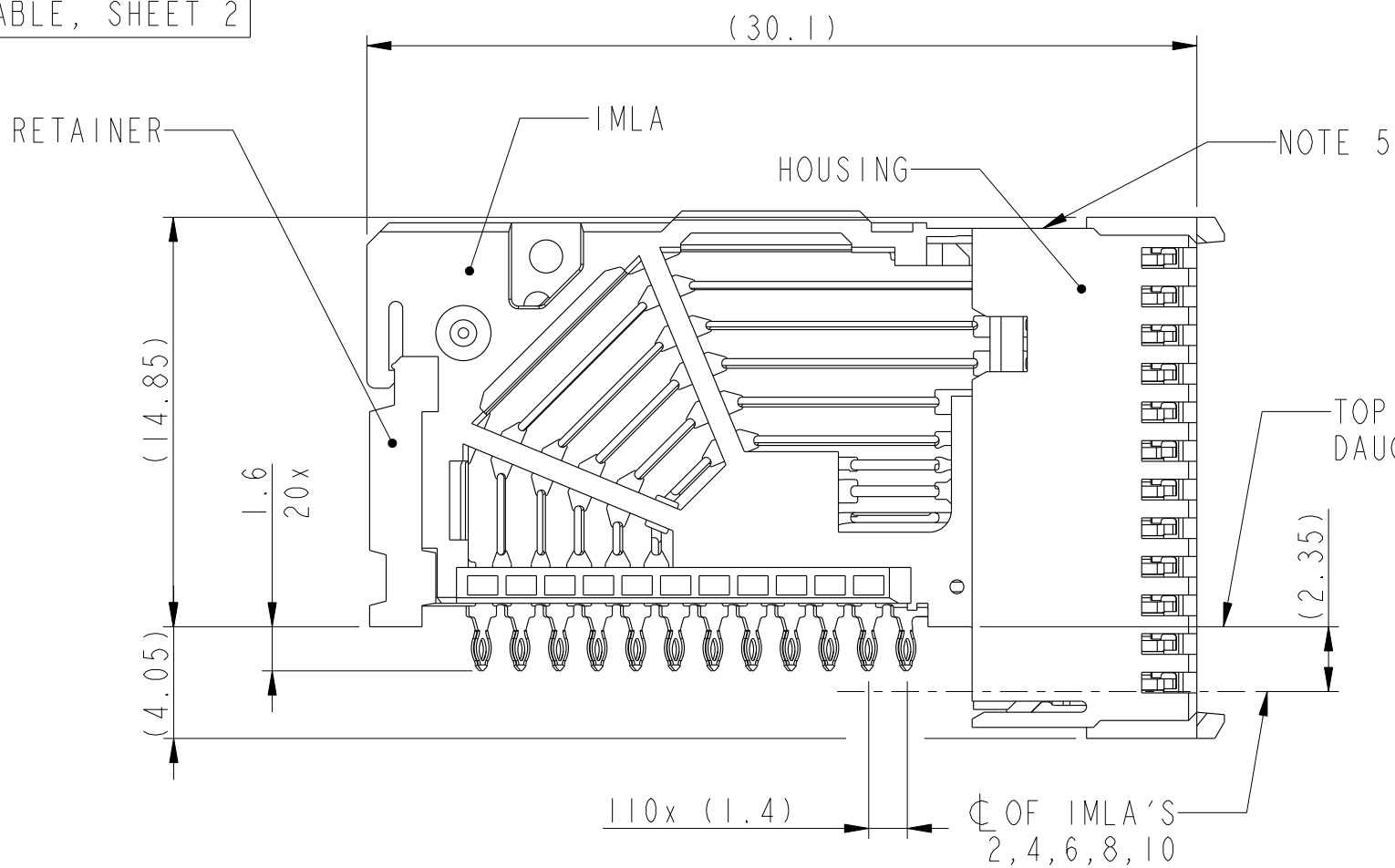


PRODUCT-NUMBER
SEE TABLE, SHEET 2

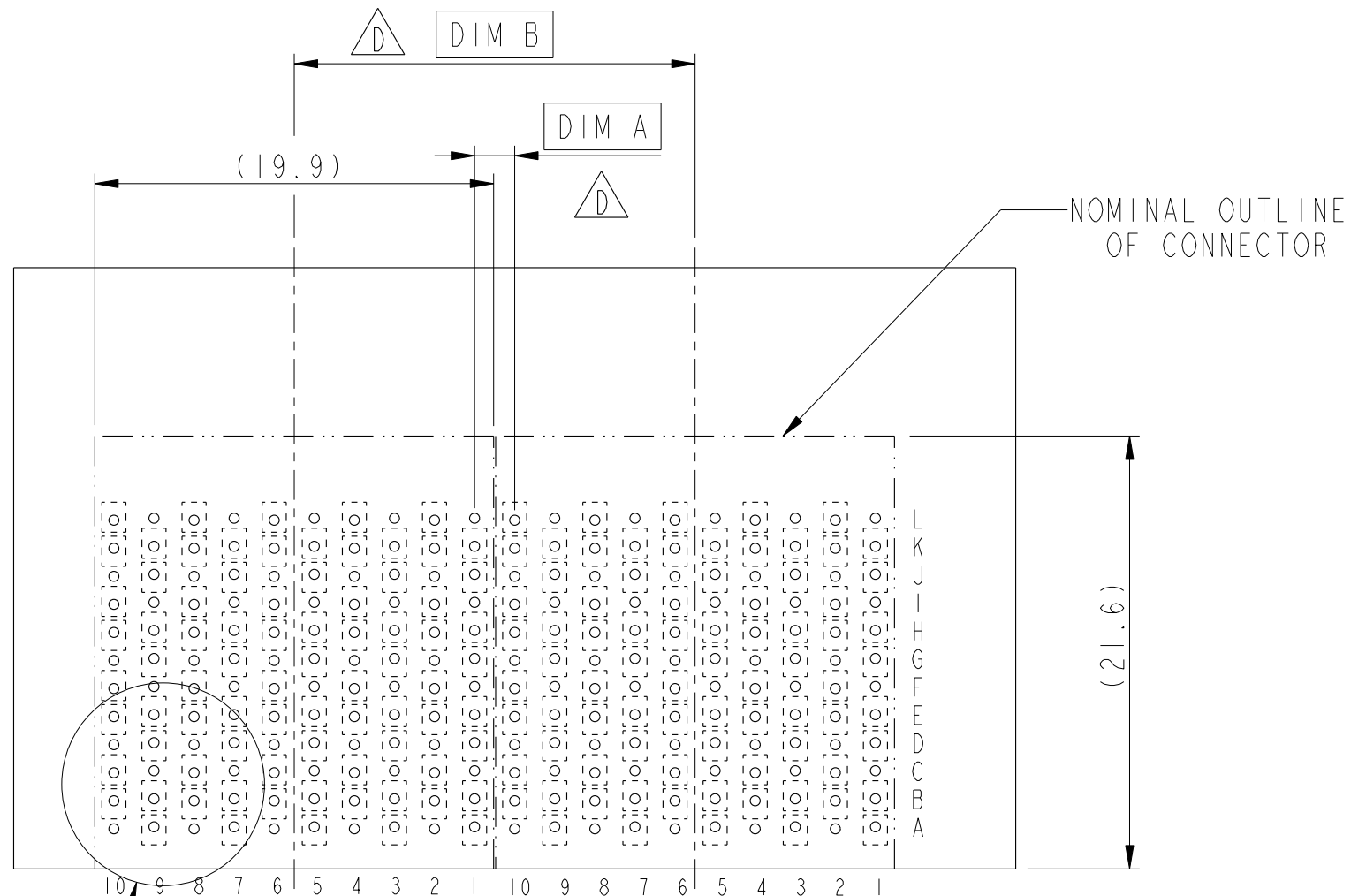
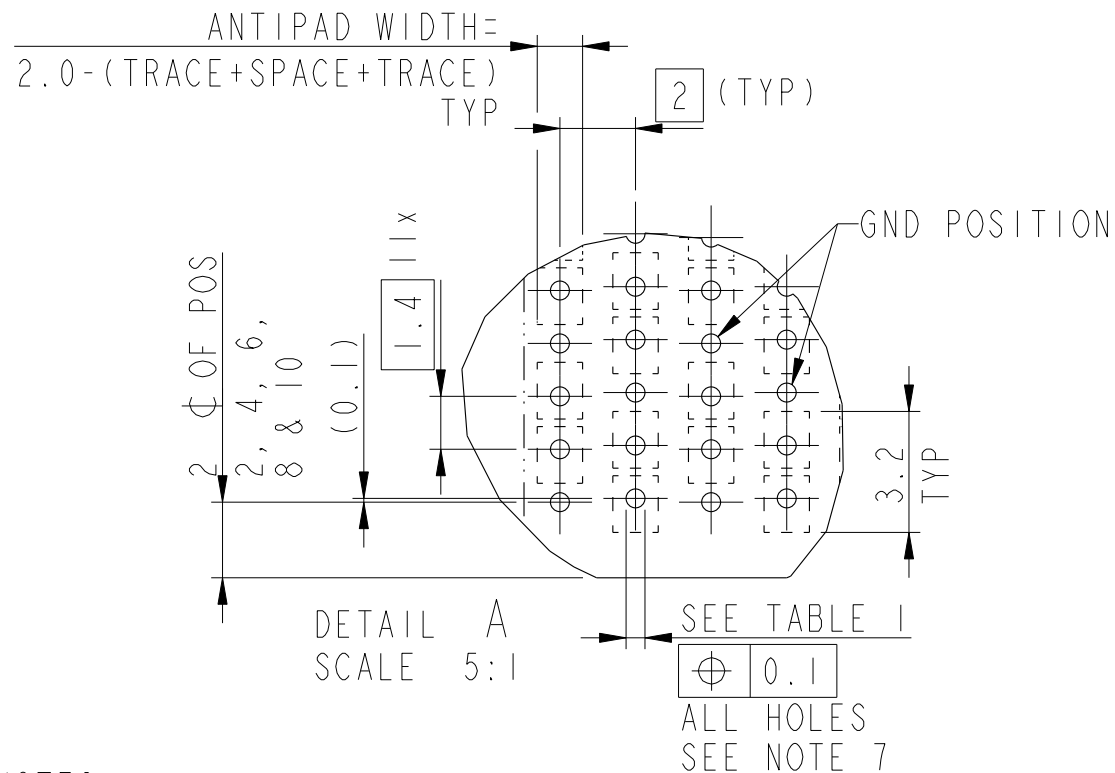


Copyright FCI.

rev	ecn no	dr	date
A	H06-0054	VWO	7 April 06
B	S07-0384	LS	05 Nov 07
C	S08-0036	LS	11 Feb 08
D	S08-0252	LS	31 July 08
-	-	-	-
-	-	-	-
-	-	-	-

www.fciconnect.com		surface ISO 1302	tolerance std ISO 406 ISO 1101	projection MM
		TOLERANCES UNLESS OTHERWISE SPECIFIED		← →
Dr	H v Woensel	21 Mar 05	ANGULAR	0.X ±
Eng	L.S NGWE	31 July 08	LINEAR	0.XX ±
Chr	L.S NGWE	31 July 08	0° ±°	0.XXX ±
Appr	JOEY NG	31 July 08	Product family AirMax VS(tm)	size A3 ECN ***
			Scale 4:1	Spec ref -
Title		AirMax VS R.A. Receptacle		Rev. D
Ass'y, 4 pair, 120 pos, 10 IMLA, 20 mm		dwg no 10035754		
catalog no		customer		sheet 1 of 2

PART NUMBER	PRESS FIT TAIL PLATING TYPE
10035754-101	TIN/LEAD ALLOY OVER NICKEL
10035754-101LF	LEAD FREE



NOTES:

- CONNECTOR MATERIALS:
HOUSING & RETAINER: HIGH TEMP THERMOPLASTIC, NATURAL, UL94V-0
IMLA PLASTIC: HIGH TEMP PLASTIC, BLACK, UL94V-0
CONTACT: COPPER ALLOY
- CONTACT PLATING:
SEPARABLE INTERFACE: GOLD OVER NICKEL
PRESS-FIT TAILS: SEE TABLE
- PRODUCT SPECIFICATION: GS-12-239
- APPLICATION SPECIFICATION: GS-20-035.
- PRODUCT MARKING, (PARTNUMBER & LOT CODE), ON THIS SURFACE
- THERE IS NO GROUND BUSSING WITHIN THE CONNECTOR SYSTEM.
- SEE CUSTOMER DRAWING 10045979 FOR INFORMATION ON PCB HOLE DIAMETER AND PLATING OPTIONS.
- THIS PRODUCT MEETS EUROPEAN UNION DIRECTIVES AND OTHER COUNTRY REGULATIONS AS DESCRIBED IN GS-22-008.
- THE HOUSING WILL WITHSTAND EXPOSURE TO 260 °C PEAK TEMPERATURE FOR 40 SECONDS IN A CONVECTOR, INFRA-RED OR VAPOR PHASE REFLOW OVEN.
- PACKAGING MEETS GS-14-920 LEAD FREE LABELLING SPECIFICATION.

RECOMMENDED PCB LAYOUT FOR DIFFERENTIAL APPLICATIONS COMPONENT SIDE (TWO ADJACENT FOOTPRINTS SHOWN)

ADJACENT HEADER WIDTH	DIM A	DIM B
20MM/20MM	2MM	20MM
20MM/22MM	3MM	21MM
22MM/22MM	4MM	22MM

11. A \triangle SYMBOL WILL BE NEXT TO ANY DIMENSION, VIEW, OR NOTE WHICH HAS BEEN MODIFIED WITH THE CURRENT DRAWING REVISION.

	Title AirMax VS R.A. Receptacle Ass'y, 4 pair, 120 pos, 10 IMLA, 20 mm	dwg no 10035754	Rev. D
	catalog no -	customer	sheet 2 of 2